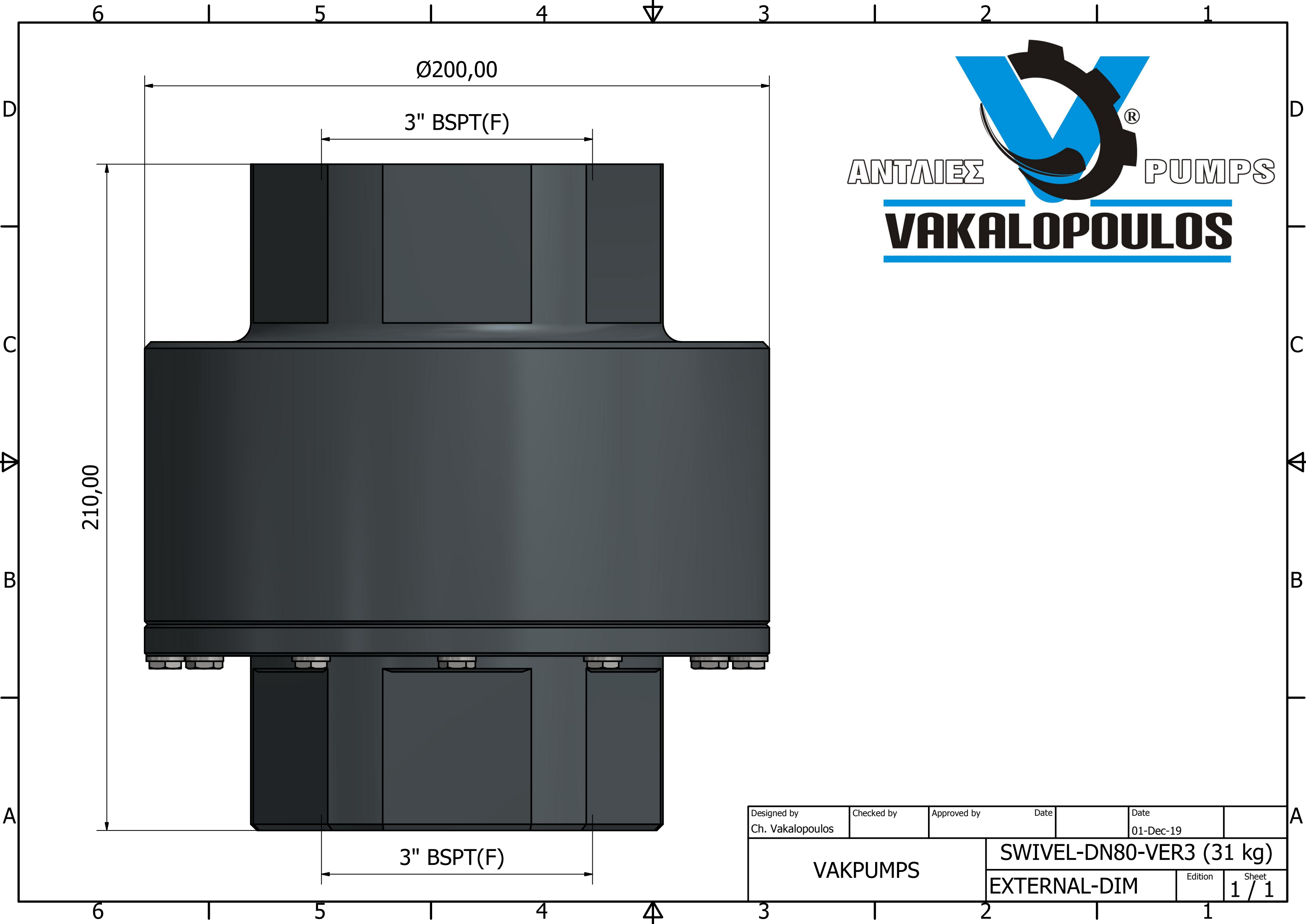




ANTAIEZ

PUMPS

**VAKALOPOULOS**



210,00

Ø200,00

3" BSPT(F)

3" BSPT(F)

Designed by Ch. Vakalopoulos	Checked by	Approved by	Date	Date 01-Dec-19
VAKPUMPS		SWIVEL-DN80-VER3 (31 kg)		
EXTERNAL-DIM		Edition	Sheet 1 / 1	